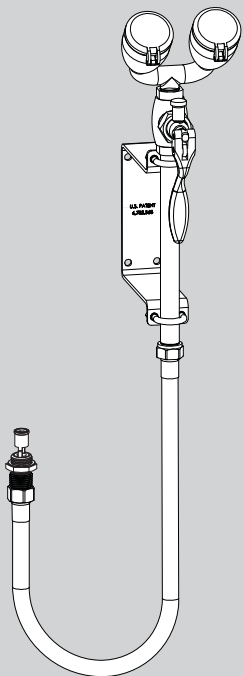


INSTRUCTIONS FOR MODELS

SEF-9200-FM




Works With:
SPEAKMAN SC-581X / 583X / 585X Faucets
Ferguson ProFlo PF1119
Fiat 830AA

NEED HELP?

For additional assistance or service please contact:

SPEAKMAN® Company
400 Anchor Mill Road
New Castle, DE 19720

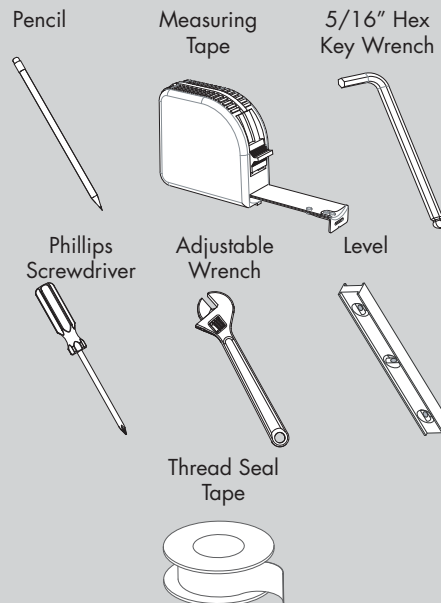
 800-537-2107

 customerservice@speakman.com

 www.speakman.com

92-SEF-9200-FM-01

TOOLS AND SUPPLIES



IMPORTANT



Be sure to read instructions thoroughly before beginning installation. Do not overtighten any connections or damage may occur. The supply line for plumbed eyewash units shall provide an uninterrupted supply of flushing fluid at a minimum of 30 psi flowing pressure. If a shut off valve is installed in the cold supply line of the sink fitting (which supplies the eyewash) for maintenance purposes, provisions shall be made to prevent unauthorized shut off. The sink fitting does not have to be turned on for the eyewash to operate. ANSI Z358.1 requires that all emergency equipment shall be tested weekly to verify proper operation and inspected annually to assure conformance with ANSI Z358.1-2009 requirements.

SAFETY TIPS



Cover your drain to prevent loss of parts. Be sure to wear eye protection while cutting pipe.

MAINTENANCE



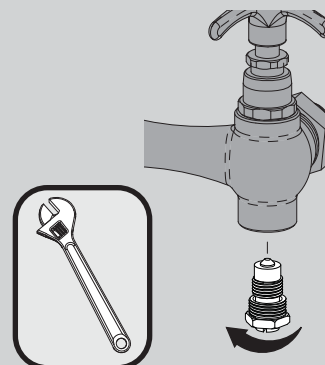
The eyewash valve has a rubber seat washer, which may require periodical maintenance. The eyewash unit can be cleaned using a mild soap and warm water solution. Rinse thoroughly and dry immediately with a soft, clean cloth for best results.

WARRANTY

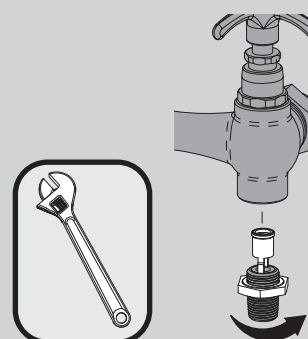


Warranty information can be found at:
www.speakman.com

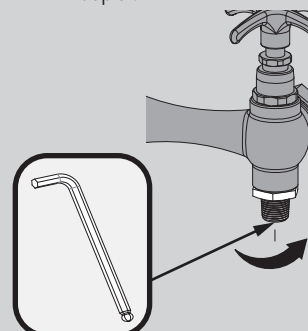
- 1** After shutting off water supplies, remove the Cold Supply Stop from Faucet.



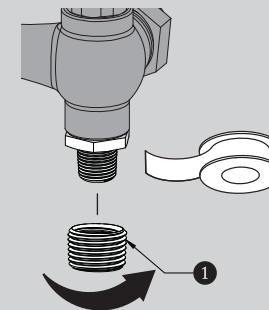
- 2** After cleaning the seat, thread the Stop Adapter into the Cold Supply Stop location of Faucet. Wrench tighten.



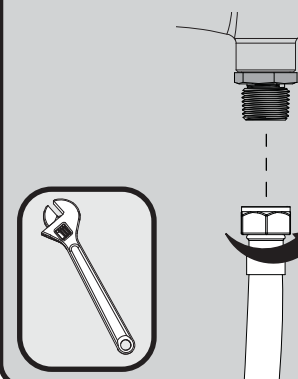
- 3** Tighten the Threaded Insert to create a seal between the Sink Fitting and the Adapter using a 5/16" Allen Wrench in the base of the Adapter.



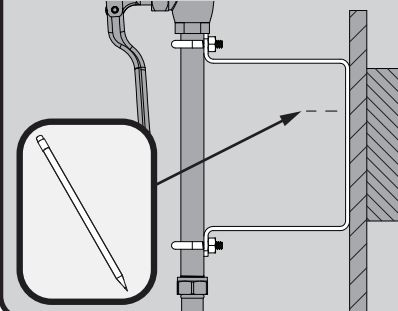
- 4** After applying Thread Sealant Tape, thread the Bushing (1) onto the Stop Adapter. Hand tighten.



- 5** Attach Hose end to the Assembly. Wrench tighten.

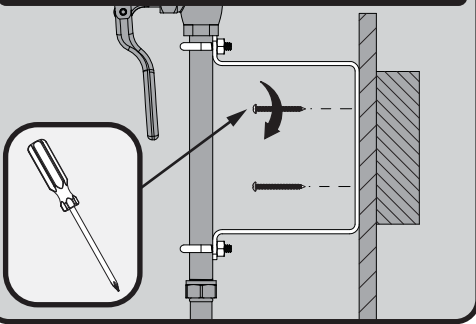


- 6** After reviewing the Roughing In Diagram, select a suitable location for installation. Using the Mounting Bracket as a template, transfer mounting locations to wall using a pencil. Be sure Bracket is level and plumb.

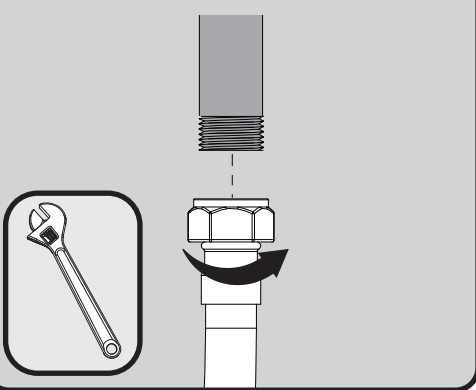


7 Secure Bracket to wood structure (i.e. wall stud) or similar using the supplied screws.

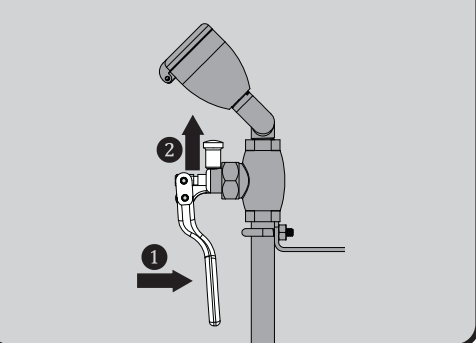
NOTE: If not mounting directly into a wood structure use appropriate hardware capable of supporting item.



8 Attach remaining end of Hose to the base of the Eyewash. Wrench tighten.

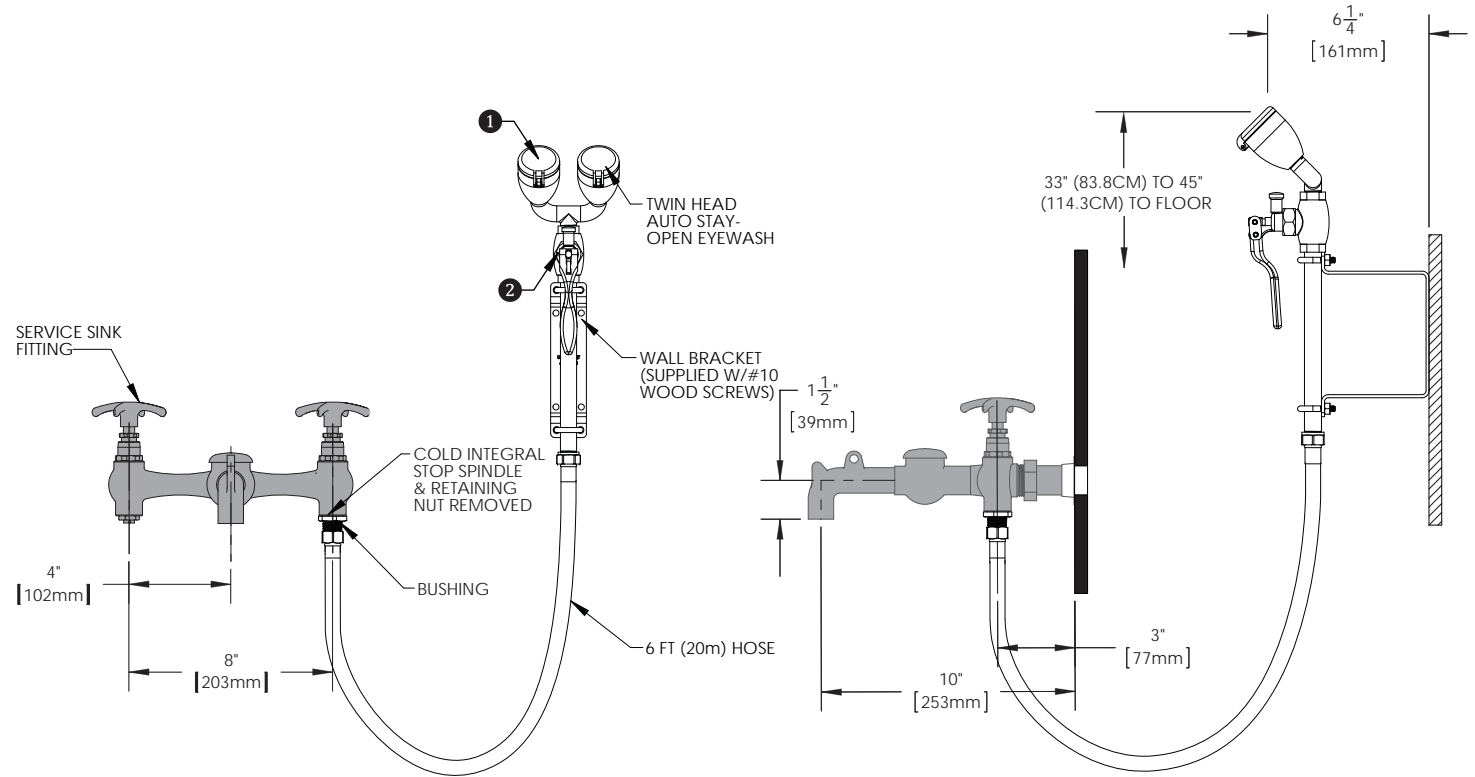


9 The eyewash is activated by squeezing the Handle (1) until it locks into the ON position. To deactivate, the Handle is squeezed while lifting the Stay-Open Plunger (2).



SEF-9200-FM ROUGH-IN DIAGRAMS / REPAIR PARTS

SPEAKMAN®



Note: Dimensions shown are for **SPEAKMAN SC-5811** service sink. Dimensions shown for reference only.

- 1** RPG38-0390 - Yellow Spray Head Assembly
- 2** RPG45-0033 - Rubber Seat Washer And Screw

DIMENSIONS SUBJECT TO CHANGE WITHOUT NOTICE.